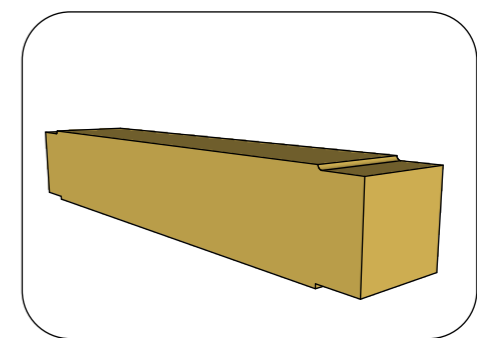


All Beams Coped and Welded to Pipe End

All Perimeter Beams Boxed with 5-1/2"x1/4" Flat Bar typ.

Lifting Scoops Cut in Sideplating typ.

All Timbers 6" Thick and Notched Top and Bottom for Flush Deck



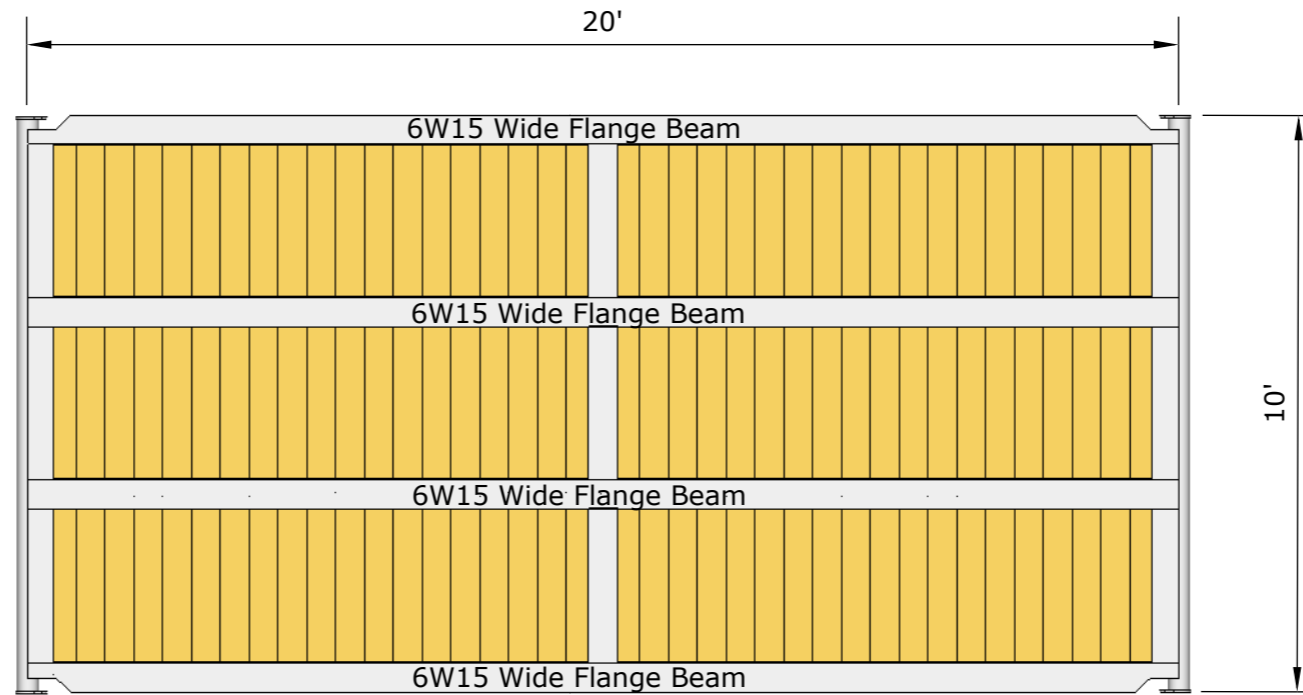
# MT Rigmat Perspective 10x20ft and 10x40ft Sizes



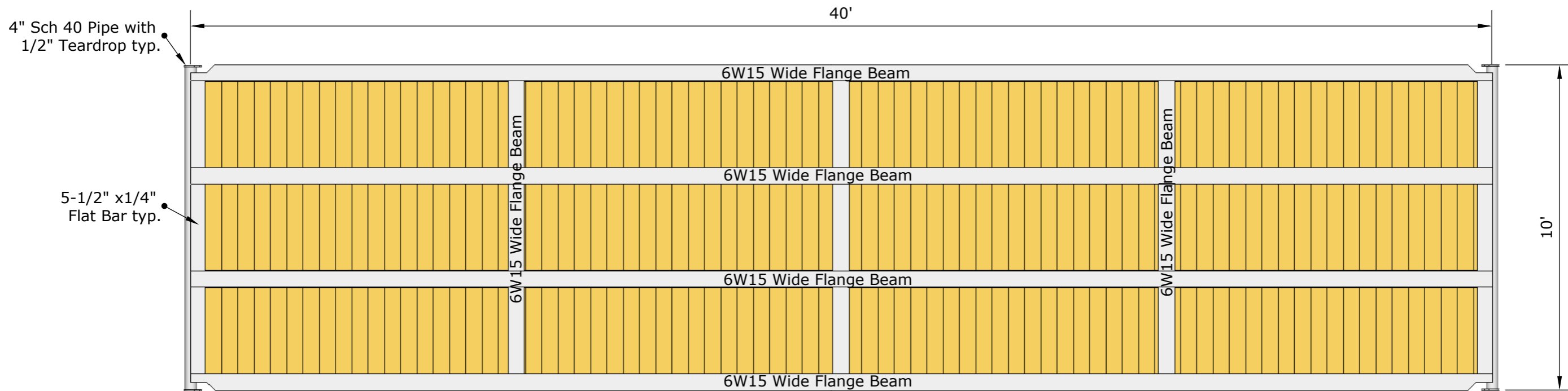
## For Sales Or Information Contact:

**Travis Jordan**  
Owner/President  
Cell: (406) 274-1230  
travis@mtrigmat.com

**MT Rig Mat LLC**  
PO Box 190  
Charlo, MT 59824  
www.mtrigmat.com



1 10ftx20ft Rig Mat Dimensions  
Scale: 1:40



2 10ftx40ft Rig Mat Dimensions  
Scale: 1:40

# MT Rigmat Dimensions

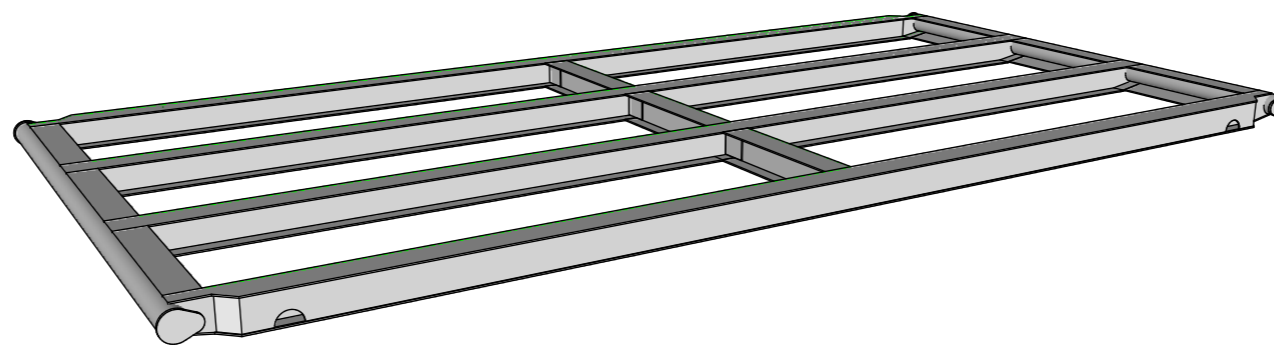
## 10x20ft and 10x40ft Sizes



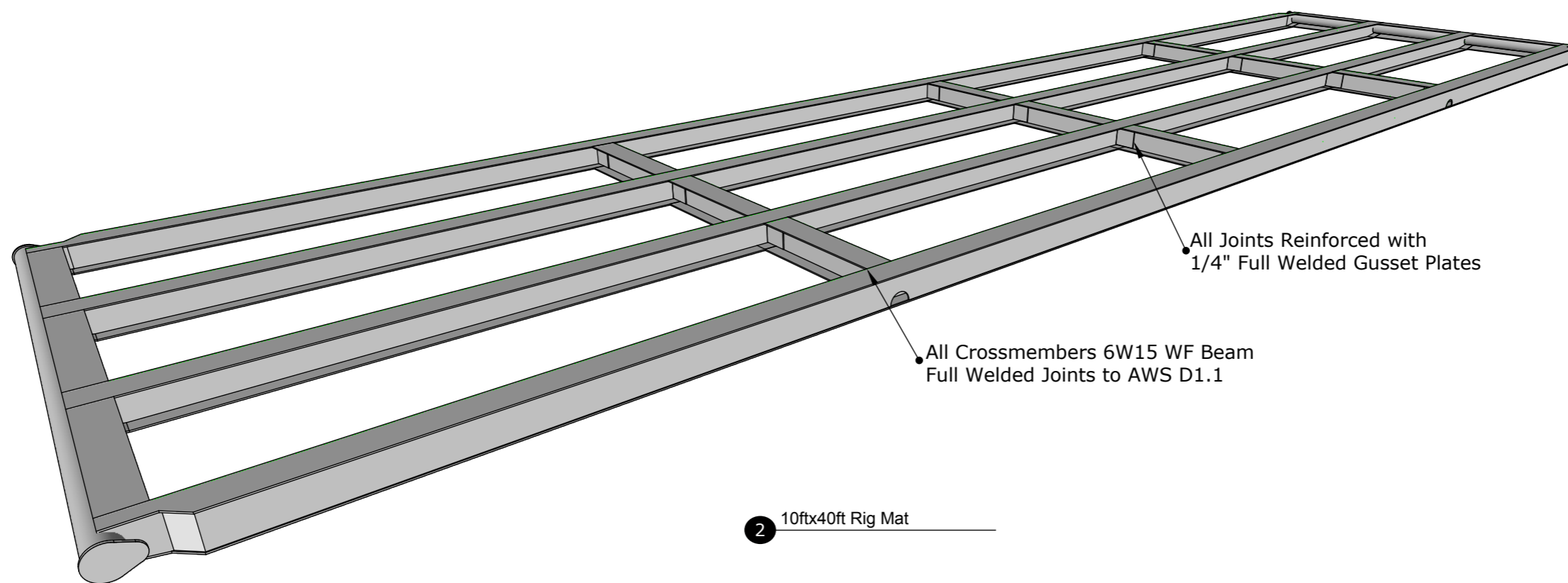
### For Sales Or Information Contact:

**Travis Jordan**  
Owner/President  
Cell: (406) 274-1230  
travis@mtrigmat.com

**MT Rig Mat LLC**  
PO Box 190  
Charlo, MT 59824  
www.mtrigmat.com



1 10ftx20ft Rig Mat



2 10ftx40ft Rig Mat

## MT Rigmat Frame Detail 10x20ft and 10x40ft Sizes



### For Sales Or Information Contact:

**Travis Jordan**  
Owner/President  
Cell: (406) 274-1230  
travis@mtrigmat.com

**MT Rig Mat LLC**  
PO Box 190  
Charlo, MT 59824  
www.mtrigmat.com