

All Beams Coped,  
Welded to Pipe End

All Perimeter Beams Boxed with  
5-1/2"x1/4" Flat Bar typ.

Lifting Scoops Cut in Sideplating typ.

All Timbers 6" Thick and Notched  
Top and Bottom for Flush Deck

## MT Rigmat Perspective 8x20ft and 8x40ft Sizes



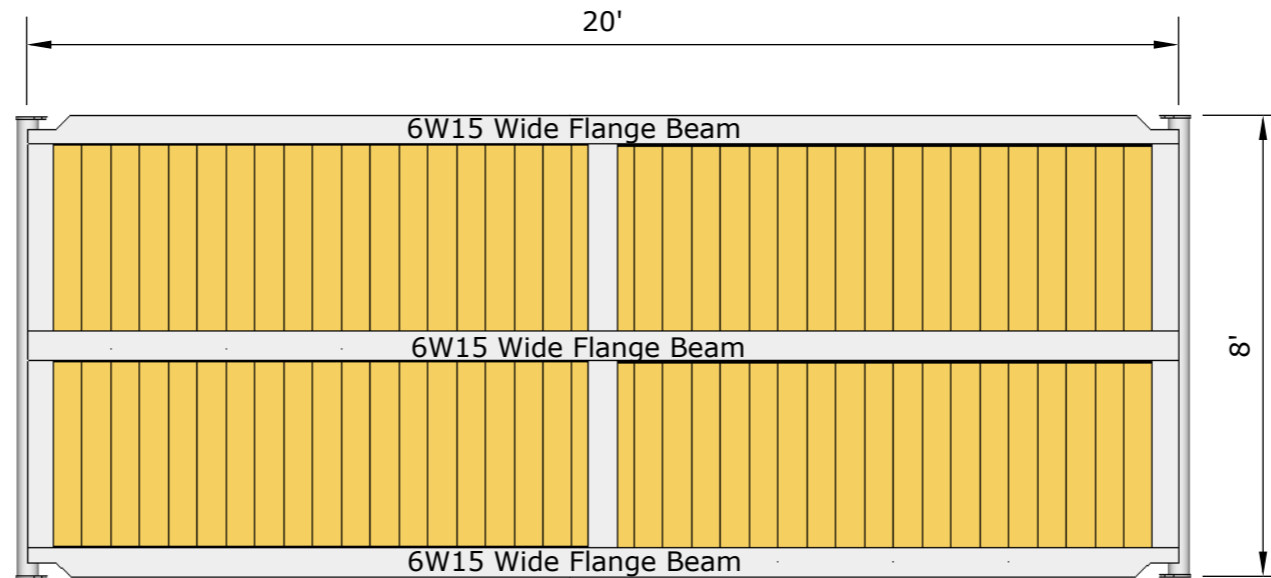
### For Sales Or Information Contact:

Travis Jordan  
Owner/President  
Cell: (406) 274-1230  
travis@mtrigmat.com

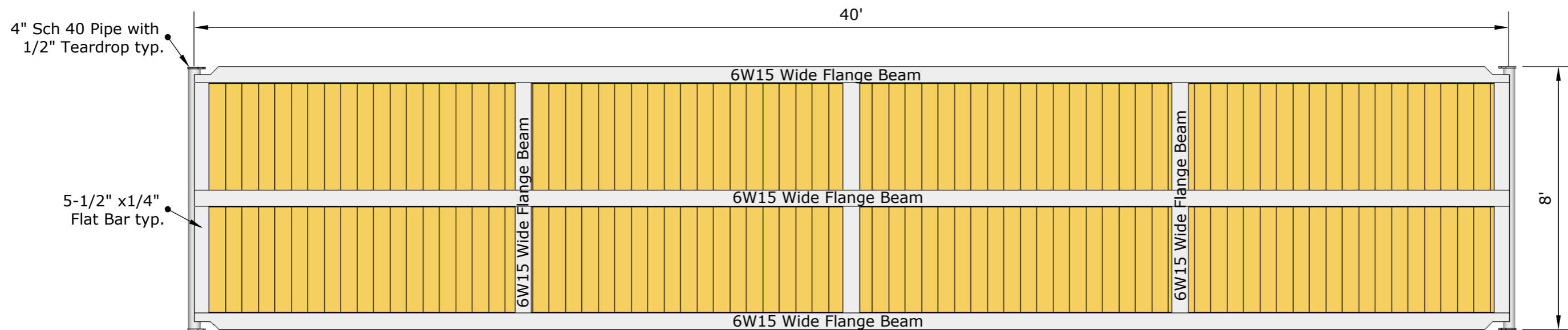
MT Rig Mat LLC  
PO Box 190  
Charlo, MT 59824  
www.mtrigmat.com

001

A



1 8ftx20ft Rig Mat Dimensions  
Scale: 1:40



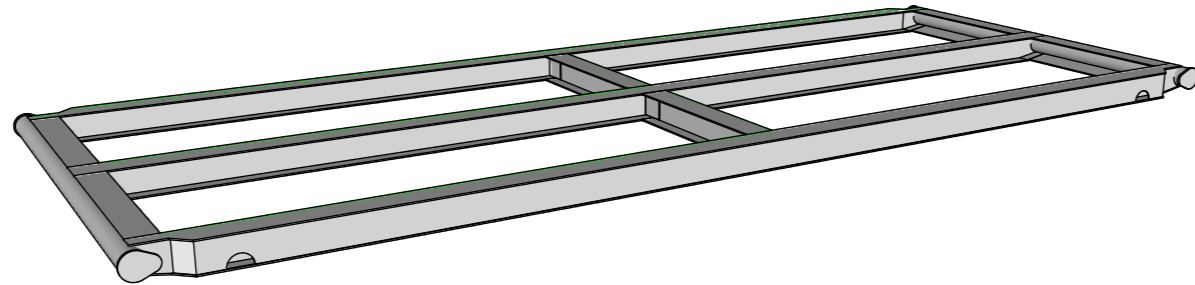
2 8ftx40ft Rig Mat Dimensions  
Scale: 1:40

# MT Rigmat Dimensions 8x20ft and 8x40ft Sizes

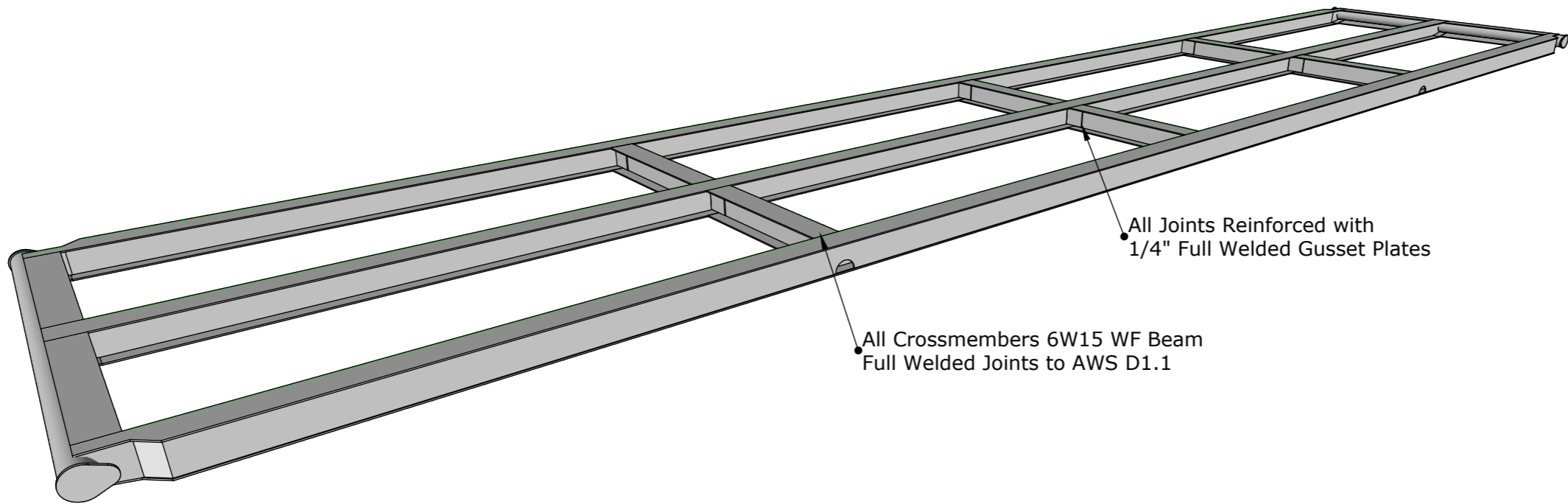


**For Sales Or Information Contact:**  
**Travis Jordan**  
 Owner/President  
 Cell: (406) 274-1230  
 travis@mtrigmat.com

**MT Rig Mat LLC**  
 PO Box 190  
 Charlo, MT 59824  
 www.mtrigmat.com



1 8ftx20ft Rig Mat



2 8ftx40ft Rig Mat

## MT Rigmat Frame Detail 8x20ft and 8x40ft Sizes



### For Sales Or Information Contact:

**Travis Jordan**  
Owner/President  
Cell: (406) 274-1230  
travis@mtrigmat.com

**MT Rig Mat LLC**  
PO Box 190  
Charlo, MT 59824  
www.mtrigmat.com