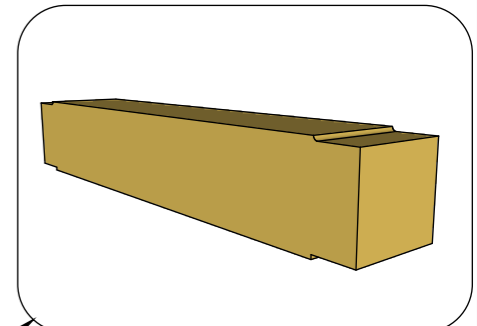


All Beams Coped and Welded to Pipe End

All Perimeter Beams Boxed with 5-1/2"x1/4" Flat Bar typ.

Lifting Scoops Cut in Sideplating typ.

All Timbers 6" Thick and Notched Top and Bottom for Flush Deck



MT Rigmat Perspective

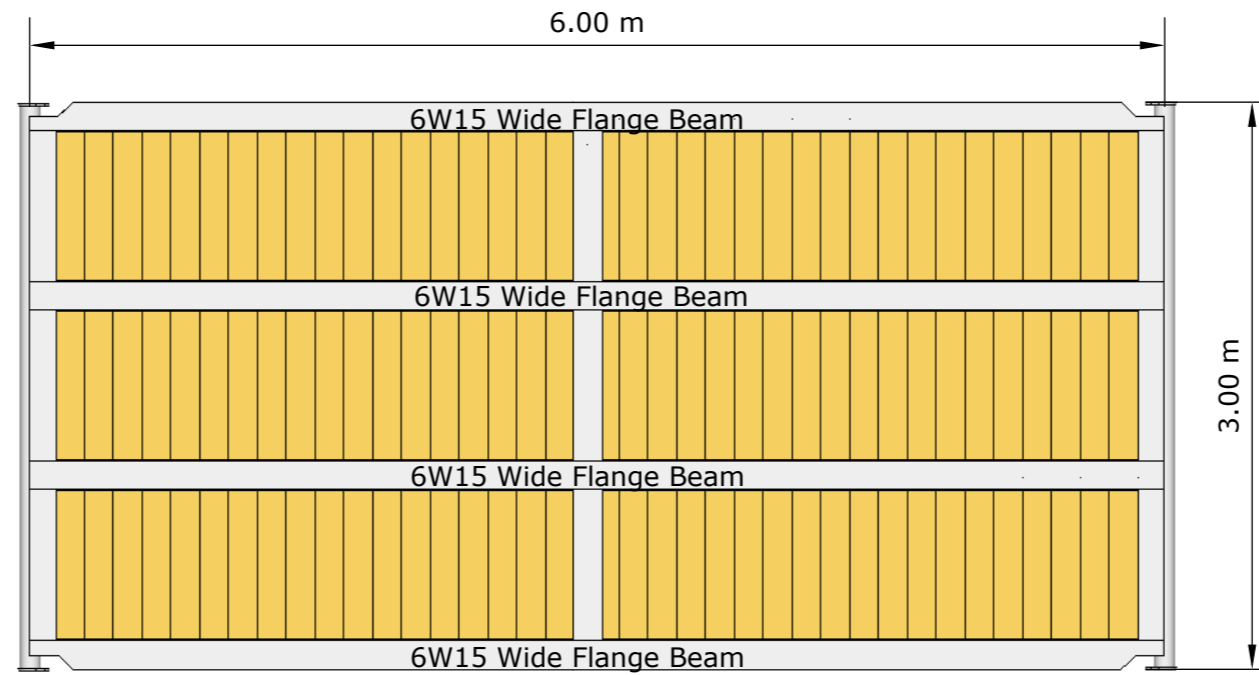
3m x 6m and 3m x 12m Sizes



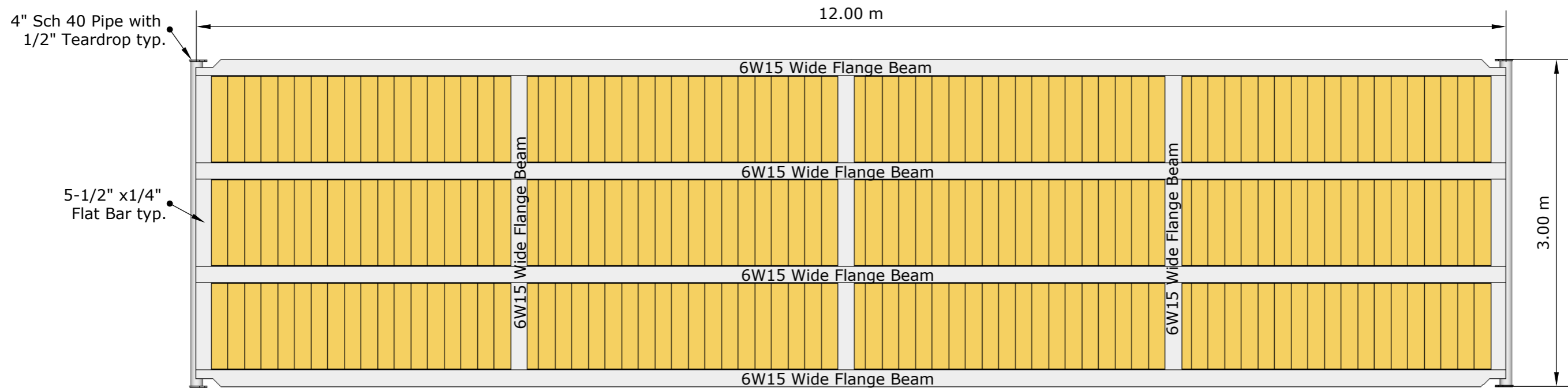
For Sales Or Information Contact:
Travis Jordan
 Owner/President
 Cell: (406) 274-1230
 travis@mtrigmat.com

MT Rig Mat LLC
 PO Box 190
 Charlo, MT 59824
 www.mtrigmat.com

001
A



1 3m x 6m Rig Mat Dimensions
Scale: 1:40



2 3m x 12m Rig Mat Dimensions
Scale: 1:40

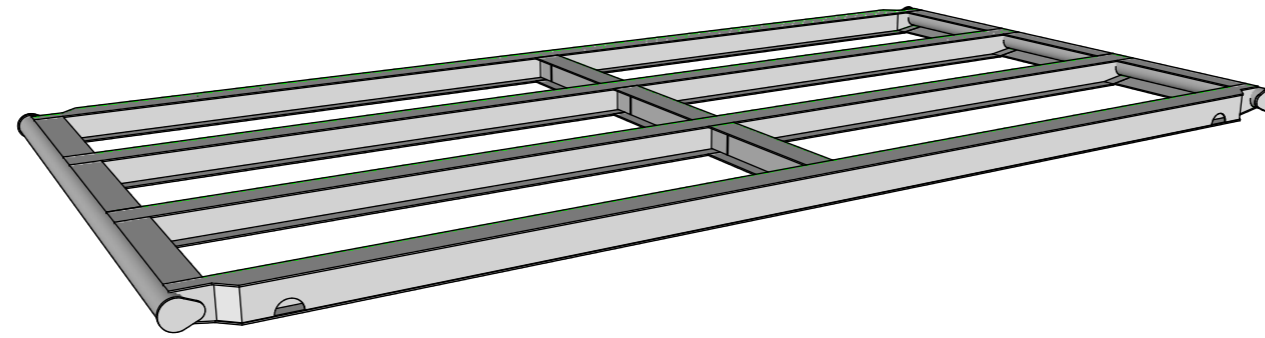
MT Rigmat Dimensions

3m x 6m and 3m x 12m

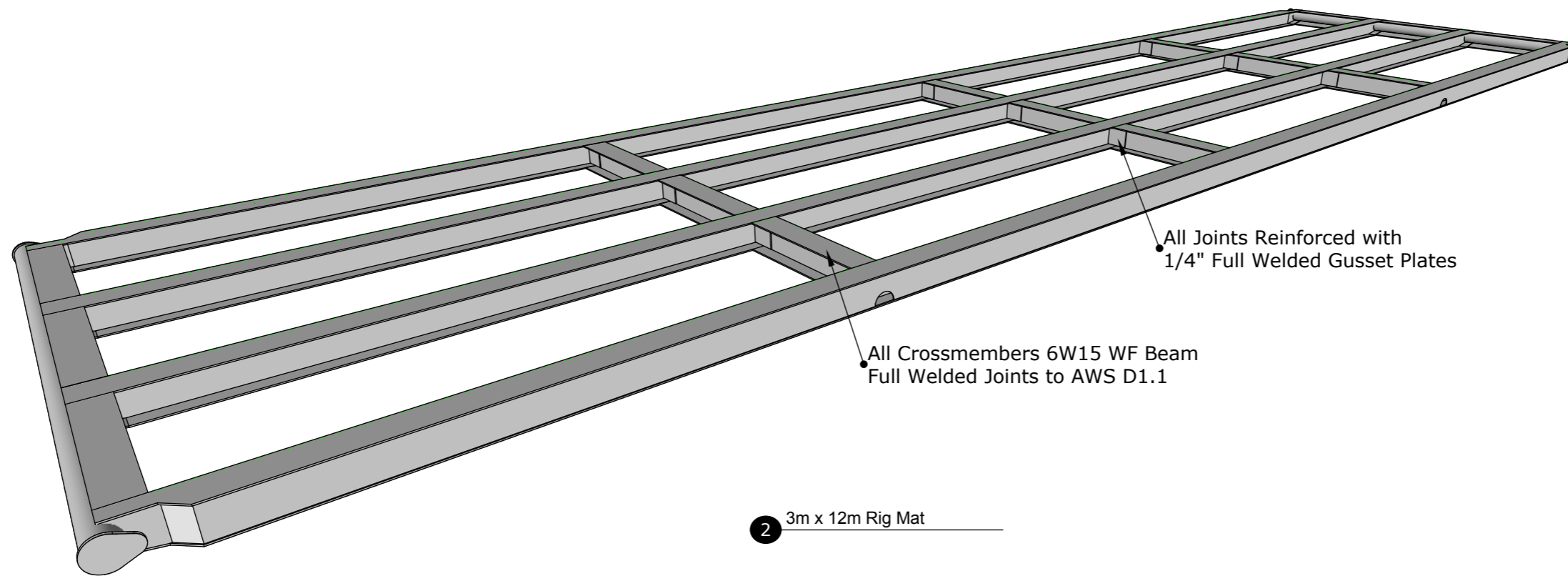


For Sales Or Information Contact:
Travis Jordan
 Owner/President
 Cell: (406) 274-1230
 travis@mtrigmat.com

MT Rig Mat LLC
 PO Box 190
 Charlo, MT 59824
 www.mtrigmat.com



1 3m x 6m Rig Mat



2 3m x 12m Rig Mat

MT Rigmat Frame Detail 3m x 6m and 3m x 12m



For Sales Or Information Contact:

Travis Jordan
Owner/President
Cell: (406) 274-1230
travis@mtrigmat.com

MT Rig Mat LLC
PO Box 190
Charlo, MT 59824
www.mtrigmat.com